

**COMMERCIAL GRADE**

# ***Hydraulic Gate Closers & Hinges***



**SUREClose®**

*Safety & security solution*

*Precision engineered  
and superbly finished*

*For steel & aluminium gates*

# Precision engineered and superbly finished...

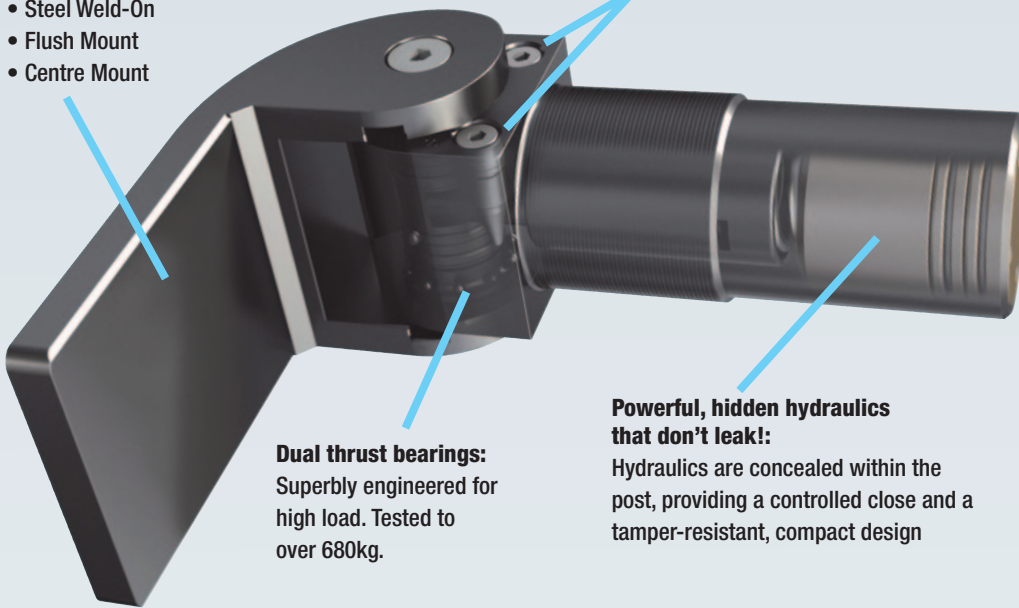
## All-in-one:

SureClose® devices are either a Hinge or a Hinge Closer, in one small, powerful package!

## Mounting Brackets:

A variety of gate brackets allow for virtually all square-post applications:

- Aluminium Screw-On
- Steel Weld-On
- Flush Mount
- Centre Mount



## Multiple adjustment options:

- Variable Speed
- Final snap-close action

**Dual thrust bearings:**  
Superbly engineered for high load. Tested to over 680kg.

**Powerful, hidden hydraulics that don't leak!**  
Hydraulics are concealed within the post, providing a controlled close and a tamper-resistant, compact design

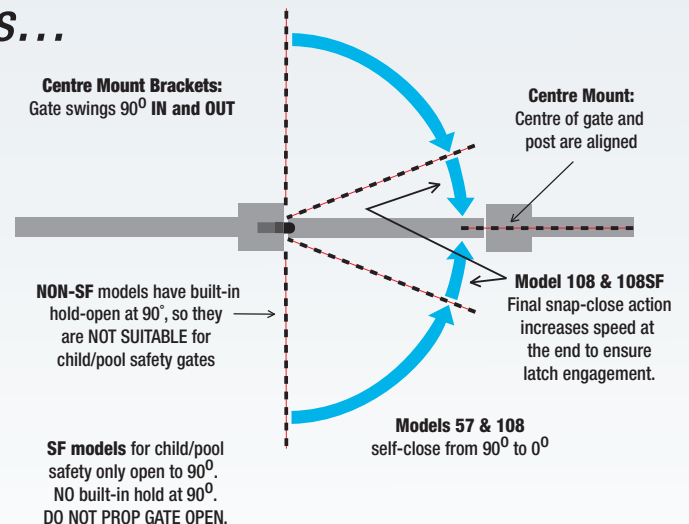
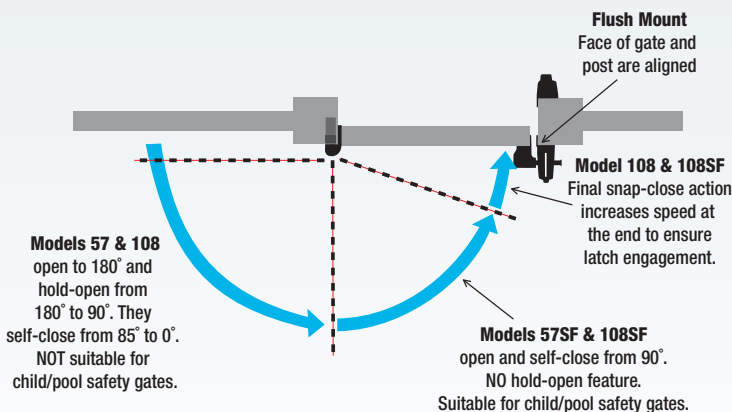
## Gate Hinges & Closers

*SureClose® Gate Closers and Hinges are designed to replace conventional commercial gate hinges and closers. These strong and sturdy hinges provide greater strength than traditional commercial industrial hinges. In some models the superb engineering and patented design conceal the hydraulics within the fence post. There is no compromise of quality with SureClose® gate closers and hinges.*

## Ideal solution for:

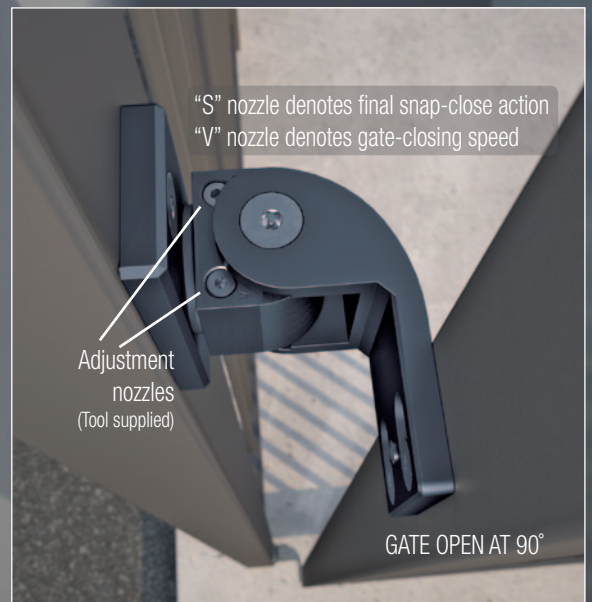
- Commercial/Industrial gates
- High-end residential gates
- Security gates
- Government institutions
- Airports
- Units & Apartments
- Childcare Centres
- Access Control gates
- Schools & Playgrounds
- Theme parks
- Hotel/Motel properties
- Sporting arenas

## Understanding Gate Sweep variations...





- *Dual thrust bearings for high loads*
- *Small footprint (hydraulics concealed inside fence post)*
- *Heavy duty, 50-micron anodised aluminium*
- *Adjustable self-closing speed (some models)*
- *Models '108' have final snap-close action*
- *Tested up to 680kg point load capacity & 500,000 cycles*
- *2-year warranty (limited)*



***Models for:***

- *Self closing*
- *Non self-closing*
- *Flush Mount & Centre Mount*
- *With final snap-close action*
- *With hold-open function*
- *90° and 180° opening*

## Centre Mount



**SureClose SM S**  
Code: 7500113  
**NON-SELF-CLOSING**  
• Gate sweep: 90° in and out



**SureClose 57 S**  
Code: 75057113m  
**SELF-CLOSING FROM 85°**  
• Holds gate open at 90°  
(not suitable for pool/safety gates)  
• Gate sweep: 90° in and out  
• Adjustment tool included

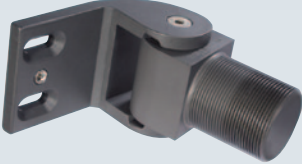
**SureClose 57SF S**  
Code: 75057123m  
**SELF-CLOSING FROM 90°**  
• No hold-open feature  
(suitable for pool/safety gates)  
• Gate sweep: 90° in and out  
• Adjustment tool included



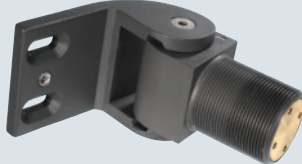
**SureClose 108 S**  
Code: 75108113m  
**SELF-CLOSING FROM 85°**  
• With final snap-close action  
• Gate sweep: 90° in and out  
• Holds gate open at 90°  
(not suitable for pool/safety gates)  
• Adjustment tool included

**SureClose 108SF S**  
Code: 75108123m  
**SELF-CLOSING FROM 90°**  
• With final snap-close action  
• Gate sweep: 90° in and out  
• No hold-open feature  
(suitable for pool/safety gates)  
• Adjustment tool included

## Flush Mount



**SureClose SM AT90 S**  
Code: 75001213  
**NON-SELF-CLOSING**  
• Gate sweep: 180° one way



**SureClose 57 AT90 S**  
Code: 75057213m  
**SELF-CLOSING FROM 85°**  
• Gate sweep: 180° one way  
• Holds gate open at 90°-180°  
(not suitable for pool/safety gates)  
• Adjustment tool included

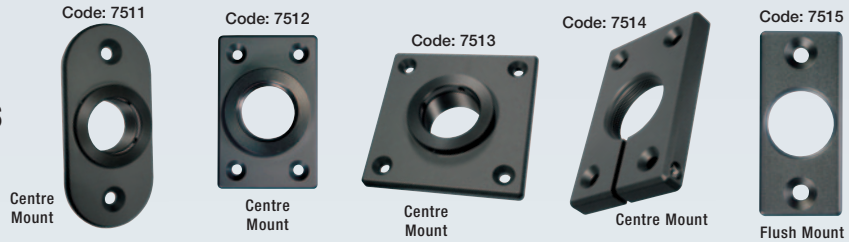
**SureClose 57SF AT90 S**  
Code: 75057223m  
**SELF-CLOSING FROM 90°**  
• Gate sweep: 90° one way  
• No hold-open feature  
(suitable for pool/safety gates)  
• Adjustment tool included



**SureClose 108 AT90 S**  
Code: 75108213m  
**SELF-CLOSING FROM 85°**  
• With final snap-close action  
• Gate sweep: 180° one way  
• Holds gate open at 90°-180°  
(not suitable for pool/safety gates)  
• Adjustment tool included

**SureClose 108SF AT90 S**  
Code: 75108223m  
**SELF-CLOSING FROM 90°**  
• With final snap-close action  
• Gate sweep: 90° one way  
• No hold-open feature  
(suitable for pool/safety gates)  
• Adjustment tool included

## Screw-on Post Brackets



## Closer/Hinge + Aluminium Screw-on Gate Bracket\*

Model	Description	Max. Weight		Self Closes	Maximum Gate Swing	Snap-Close Action	**Pool/Child Safety	Horizontal Adjustment	Hinge Gap	Fence Post Size
		Self Close	Prod. Code							
<b>CENTRE MOUNT</b>										
SM S	Hinge: Plain, pivoting	-	7500113	-	90°, in AND out	-	-	Yes	63-76mm	50mm+
57 S	Closer Hinge: General purpose	40kg	75057113m	Yes, from 85°	90°, in AND out	-	-	Yes	63-76mm	50mm+
57SF S	Closer Hinge: Ideal for safety gates	40kg	75057123m	Yes, from 90°	90°, in AND out	-	Yes	Yes	63-76mm	50mm+
108 S	Closer Hinge: Final snap-close action	80kg	75108113m	Yes, from 85°	90°, in AND out	Yes	-	Yes	63-76mm	75mm+
108SF S	Closer Hinge: Safety, with snap-close	80kg	75108123m	Yes, from 90°	90°, in AND out	Yes	Yes	Yes	63-76mm	75mm+
<b>FLUSH MOUNT</b>										
SM AT90 S	Hinge: Plain, pivoting	-	75001213	-	180° one way	-	-	-	13mm	50mm+
57 AT90 S	Closer Hinge: General purpose	40kg	75057213m	Yes, from 85°	180° one way	-	-	-	13mm	50mm+
57SF AT90 S	Closer Hinge: Ideal for safety gates	40kg	75057223m	Yes, from 90°	90° one way	-	Yes	-	13mm	50mm+
108 AT90 S	Closer Hinge: Final snap-close action	80kg	75108213m	Yes, from 85°	180° one way	Yes	-	-	13mm	75mm+
108SF AT90 S	Closer Hinge: Safety, with snap-close	80kg	75108223m	Yes, from 90°	90° one way	Yes	Yes	-	13mm	75mm+

## Post Mounting Brackets\* sold separately

Prod. Code	Mounting Style	Description	Suggested Fasteners	Horizontal Adjustment	Fence Post Size
7511	Centre Mount	Aluminium Screw-on	#18 c.s.	Yes, threaded	50mm+
7512	Centre Mount	Aluminium Screw-on	#14 c.s.	Yes, threaded	50mm+
7513	Centre Mount	Aluminium Screw-on	#14 c.s.	Yes, threaded	75mm+
7514	Centre Mount	Aluminium Screw-on (single)***	#14 c.s.	Yes, rotate hinge	50mm+
7515	Flush Mount	Aluminium Screw-on	#18 c.s.	No	50mm+

### HANDY HINT: Mix & Match Closers/Hinges

It is possible to mix and match SureClose hinges and closers. For example, it is possible to combine a plain, pivoting SM model with either a 57 or a 108 self-closing model to attain self closure. The following table shows how hinge models can be paired to obtain different types of gate closure (based on max gate size 1800H x 1000mmW):

Models	Max. Self-Closing Gate Weight
57 + SM	40kg
57 + 57	80kg
108 + SM	80kg
108 + 108 (welded only)	120kg
SM + SM (no self-close)	680kg (point load)

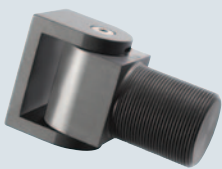
**NOTE:** Screw-on aluminium brackets may be powdercoated or painted. Protect threads and moving parts when applying finish.

\* All closers/hinges come with a gate-mounting bracket included, but post-mounting brackets are sold separately.

\*\* Yes = Gates will not hold open at 90°, so therefore are suitable for safety gates. Do NOT use a hinge with 90° hold-open feature on pool/child safety gates.

\*\*\* Post mounting bracket 7514 allows for single-hinge applications such as turnstiles. Includes fixing clamp to prevent slippage. For additional products, detailed instructions and specifications, visit [www.dtechtglobal.com/sureclose](http://www.dtechtglobal.com/sureclose)

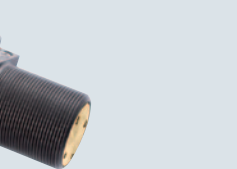
## Centre Mount



**SureClose SM W**  
Code: 75001114  
**NON-SELF-CLOSING**  
• Gate sweep: 90° in and out



**SureClose 57 W**  
Code: 75057114m  
**SELF-CLOSING FROM 85°**  
• Holds gate open at 90° (not suitable for pool/safety gates)  
• Gate sweep: 90° in and out  
• Adjustment tool included



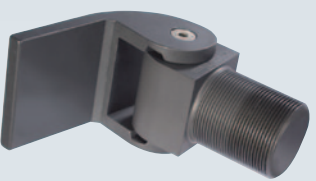
**SureClose 57SF W**  
Code: 75057124m  
**SELF-CLOSING FROM 90°**  
• No hold-open feature (suitable for pool/safety gates)  
• Gate sweep: 90° in and out  
• Adjustment tool included



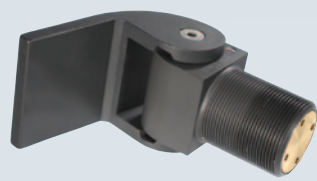
**SureClose 108 W**  
Code: 75108114m  
**SELF-CLOSING FROM 85°**  
• With final snap-close action  
• Gate sweep: 90° in and out  
• Holds gate open at 90° (not suitable for pool/safety gates)  
• Adjustment tool included

**SureClose 108SF W**  
Code: 75108124m  
**SELF-CLOSING FROM 90°**  
• With final snap-close action  
• Gate sweep: 90° in and out  
• No hold-open feature (suitable for pool/safety gates)  
• Adjustment tool included

## Flush Mount



**SureClose SM AT90 W**  
Code: 75108114  
**NON-SELF-CLOSING**  
• Gate sweep: 180° one way



**SureClose 57 AT90 W**  
Code: 75057214m  
**SELF-CLOSING FROM 85°**  
• Gate sweep: 180° one way  
• Holds gate open at 90°-180° (not suitable for pool/safety gates)  
• Adjustment tool included

**SureClose 57SF AT90 W**  
Code: 75057224m  
**SELF-CLOSING FROM 90°**  
• Gate sweep: 90° one way  
• No hold-open feature (suitable for pool/safety gates)  
• Adjustment tool included



**SureClose 108 AT90 W**  
Code: 75108214m  
**SELF-CLOSING FROM 85°**  
• With final snap-close action  
• Gate sweep: 180° one way  
• Holds gate open at 90°-180° (not suitable for pool/safety gates)  
• Adjustment tool included

**SureClose 108SF AT90 W**  
Code: 75108224m  
**SELF-CLOSING FROM 90°**  
• With final snap-close action  
• Gate sweep: 90° one way  
• No hold-open feature (suitable for pool/safety gates)  
• Adjustment tool included

Code: 7525



Flush Mount

Code: 7526



Centre Mount

## Weld-on Post Brackets

## Closer/Hinge + Steel Weld-on Gate Bracket\*

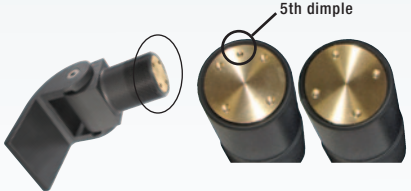
Model	Description	Max. Weight	Prod. Code	Self Closes	Maximum Gate Swing	Snap-Close Action	**Pool/Child Safety	Horizontal Adjustment	Hinge Gap	Fence Post Size
<b>CENTRE MOUNT</b>										
SM W	Hinge: Plain, pivoting	-	75001114	-	90°, in AND out	-	-	Yes	63-76mm	50mm+
57 W	Closer Hinge: General purpose	40kg	75057114m	Yes, from 85°	90°, in AND out	-	-	Yes	63-76mm	50mm+
57SF W	Closer Hinge: Ideal for safety gates	40kg	75057124m	Yes, from 90°	90°, in AND out	-	Yes	Yes	63-76mm	50mm+
108 W	Closer Hinge: Final snap-close action	80kg	75108114m	Yes, from 85°	90°, in AND out	Yes	-	Yes	63-76mm	75mm+
108SF W	Closer Hinge: Safety, with snap-close	80kg	75108124m	Yes, from 90°	90°, in AND out	Yes	Yes	Yes	63-76mm	75mm+
<b>FLUSH MOUNT</b>										
SM AT90 W	Hinge: Plain, pivoting	-	75001214	-	180° one way	-	-	-	13mm	50mm+
57 AT90 W	Closer Hinge: General purpose	40kg	75057214m	Yes, from 85°	180° one way	-	-	-	13mm	50mm+
57SF AT90 W	Closer Hinge: Ideal for safety gates	40kg	75057224m	Yes, from 90°	90° one way	-	Yes	-	13mm	50mm+
108 AT90 W	Closer Hinge: Final snap-close action	80kg	75108214m	Yes, from 85°	180° one way	Yes	-	-	13mm	75mm+
108SF AT90 W	Closer Hinge: Safety, with snap-close	80kg	75108224m	Yes, from 90°	90° one way	Yes	Yes	-	13mm	75mm+

## Post Mounting Brackets sold separately\*

Prod. Code	Mounting Style	Description	Horizontal Adjustment	Fence Post Size
7525	Flush Mount	Steel Weld-on	Yes, threaded	50mm+
7526	Centre Mount	Steel Weld-on	Yes, threaded	50mm+

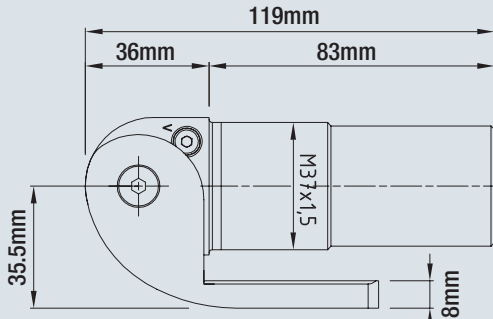
**NOTE:** Screw-on aluminium brackets may be powdercoated or painted. Protect threads and moving parts when applying finish.  
\*All closers/hinges come with a gate-mounting bracket included, but post-mounting brackets are sold separately.  
\*\* Yes = Gates will not hold open at 90°, so therefore are suitable for safety gates. Do NOT use a hinge with 90° hold-open feature on pool/child safety gates.

**HANDY HINT: Safety Gate Closer Hinges**  
Brass end-caps indicate a self-closing hinge, but not all self-closing models are suitable for safety gates. A 5th dimple (see below) on some end-caps signifies an "SF" model, or **Safety Gate** model, meaning it IS suitable for use on child and pool safety gates.

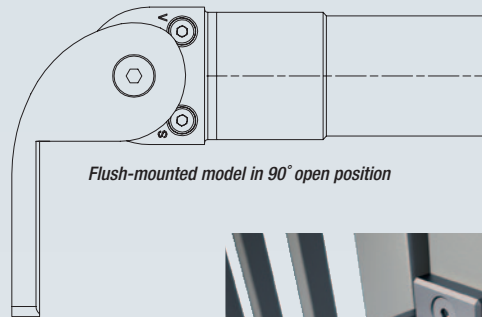




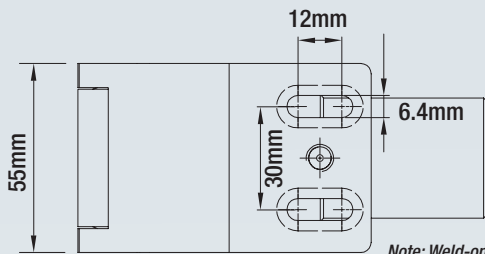
## SureClose® 108 Flush Mount (screw-on)



Flush Mount models require 40mm hole through fence post.



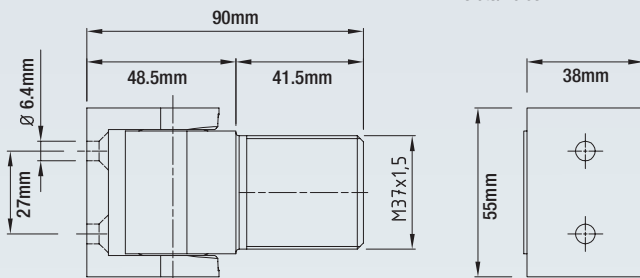
Flush-mounted model in 90° open position



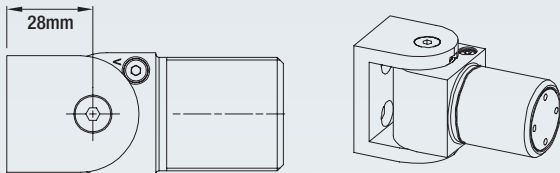
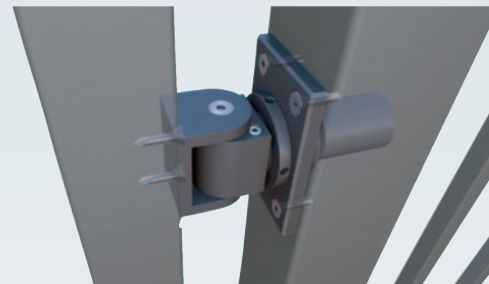
Note: Weld-on models have the same dimensions, but do not have screw-fixing slots/holes.



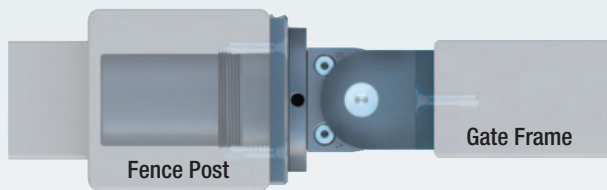
## SureClose® 57 Centre Mount (screw-on)



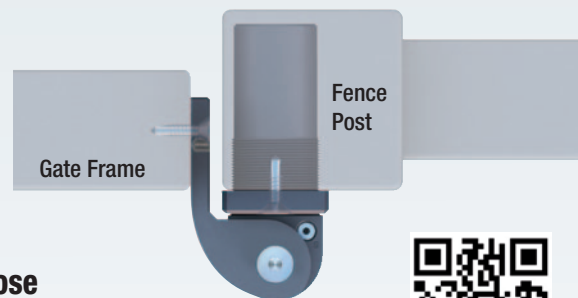
Centre Mount models require 48mm hole through fence post.



Plan view - Centre Mount



Plan view - Flush Mount



[www.ddtechglobal.com/sureclose](http://www.ddtechglobal.com/sureclose)

# D&D Technologies

Hi-Performance Hardware



Scan code with smart phone to learn more about this product.  
(Download free QR Code reader at your App Store)

**AUSTRALIA:** D&D Technologies P/L, Unit 6, 4-6 Aquatic Drive, Frenchs Forest NSW 2086 Tel: 1800 500 203 or (02) 9454 7800 Fax: (02) 9454 7600. E-mail: sales@ddtech.com.au

**NEW ZEALAND:** D&D Technologies P/L  
New Zealand Regional Sales Manager. Mobile: 027 5482 714  
E-mail: iellis@ddtech.com.au Web: www.ddtechglobal.com

Available from:

